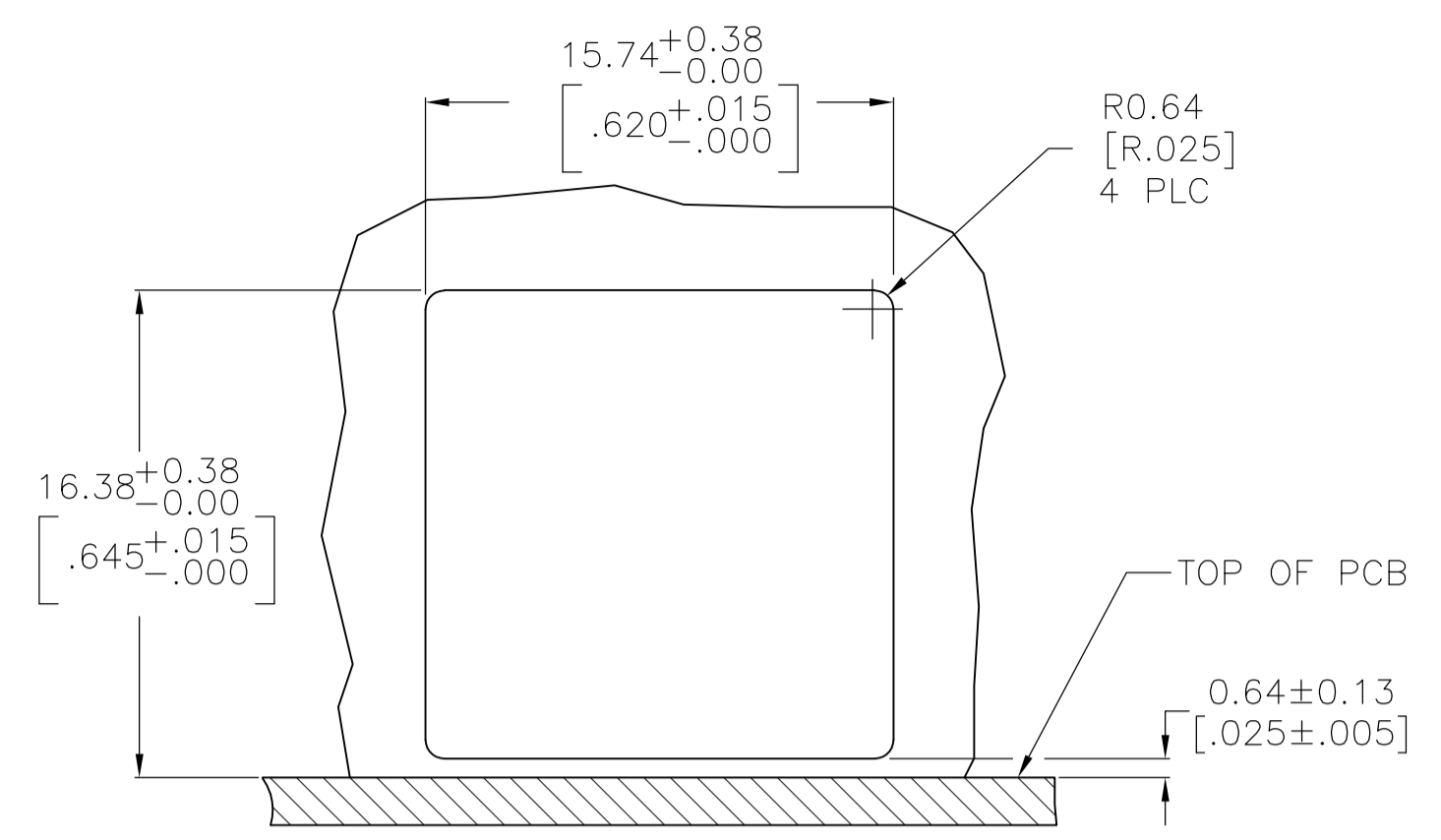
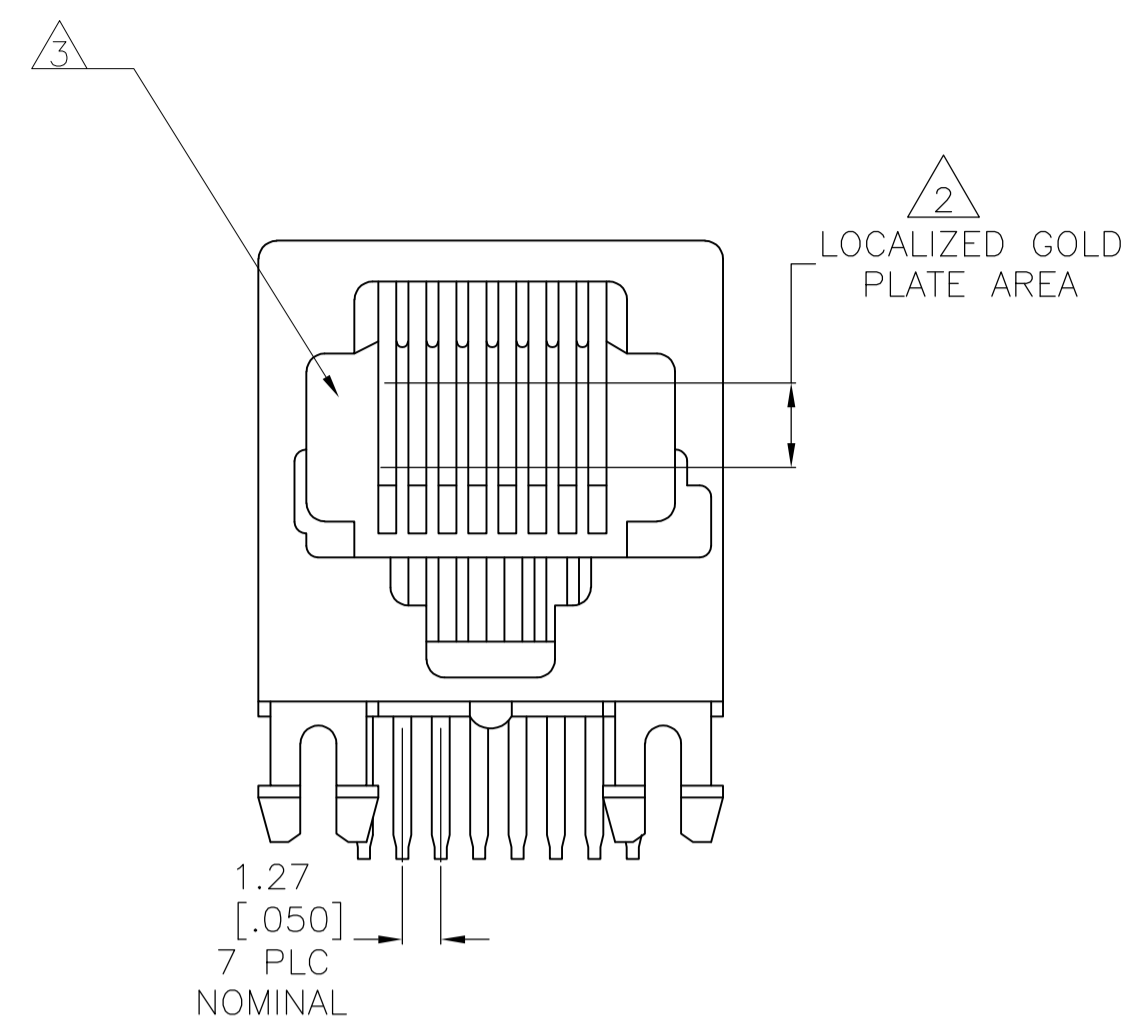
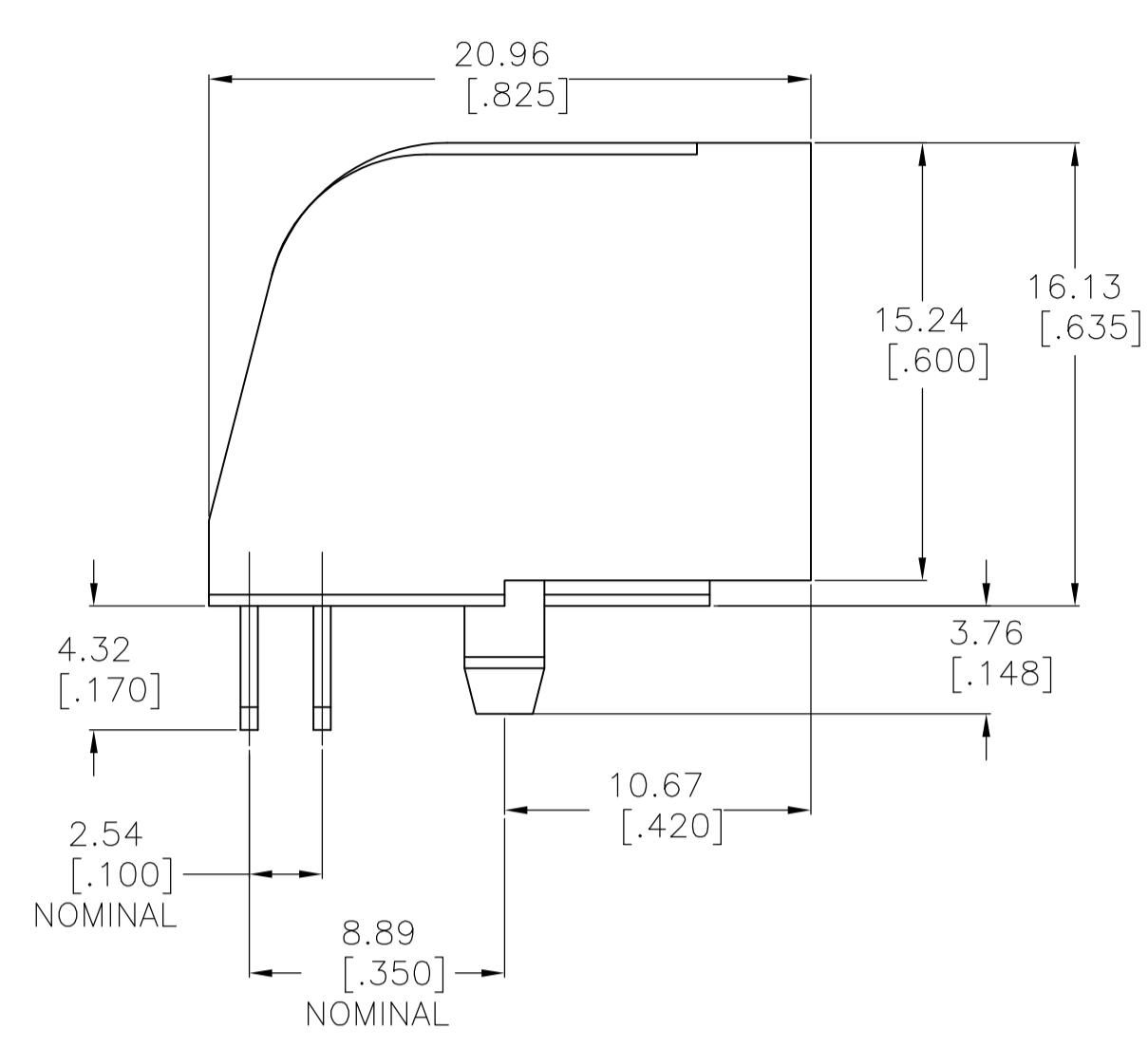
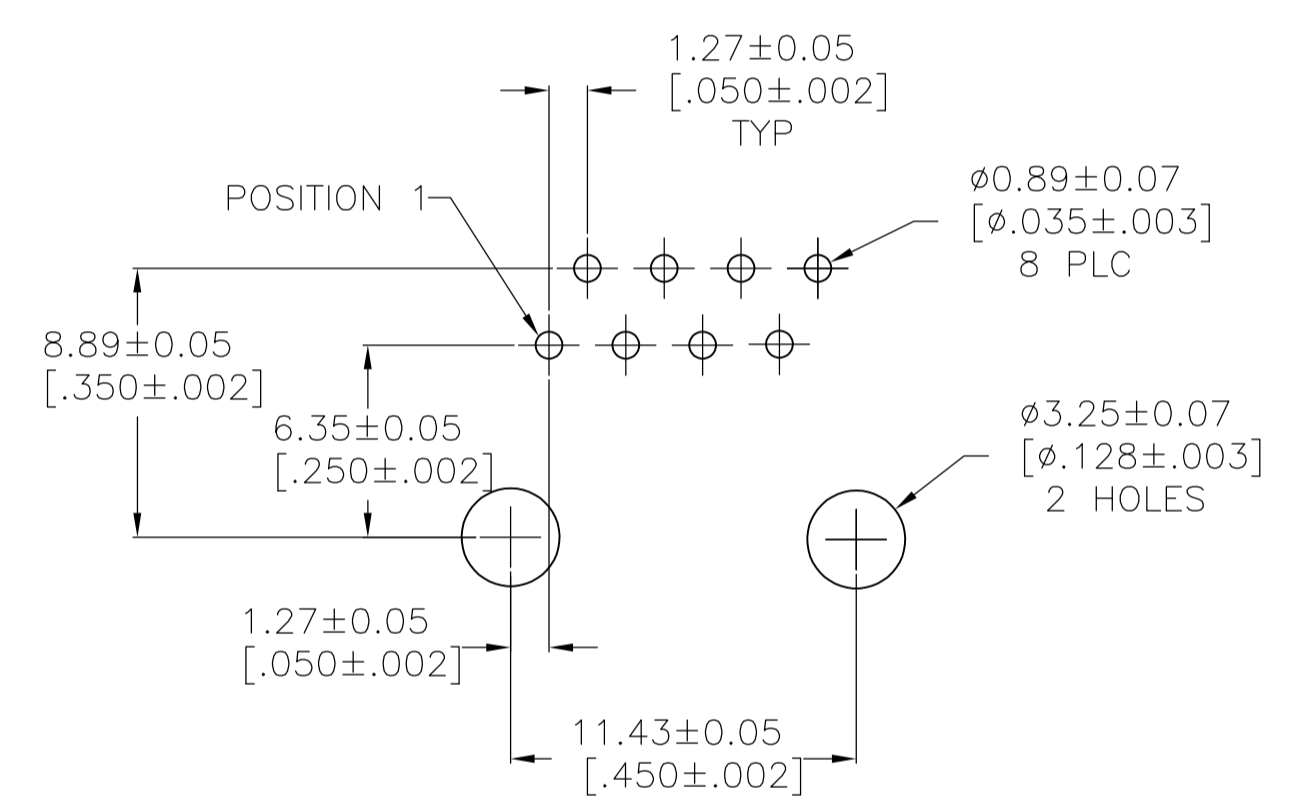
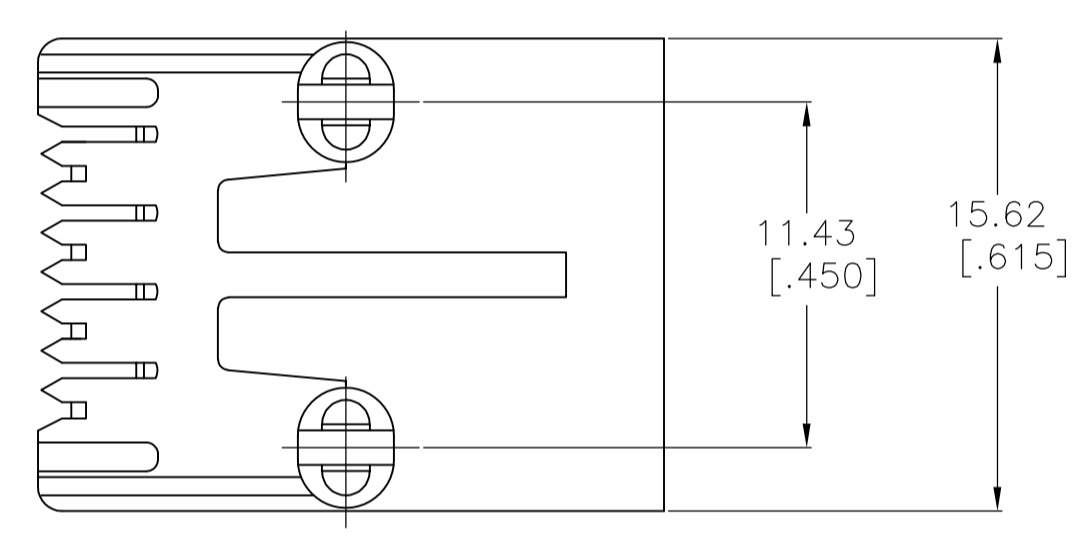


LOC		DIST		REVISIONS			
P	LTR	DESCRIPTION	DATE	DN	APVD		
B		ECO-07-019679	30AUG07	LAM	PR		



RECOMMENDED PANEL CUTOUT

- MATERIAL: HOUSING PBT POLYESTER, COLOR: BLACK. TERMINAL-0.36 [.014] THICK PHOS-BRONZE PLATED WITH 1.27um [.000050] MINIMUM THICK HARD GOLD IN LOCALIZED GOLD PLATE AREA AND 3.81um [.000150] MINIMUM THICK MATTE TIN IN SOLDER AREA OVER 1.27um [.000050] MINIMUM THICK NICKEL UNDERPLATE.
- CAVITY CONFORMS TO FCC RULES AND REGULATIONS PART 68 AND REA BULLETIN 345-81, PE-76 SPECIFICATION FOR MODULAR TELEPHONE HARDWARE.
- ALL DIMENSIONS SHOWN ARE MAXIMUM UNLESS OTHERWISE SPECIFIED.



RECOMMENDED PRINTED CIRCUIT BOARD LAYOUT
 COMPONENT SIDE SHOWN

5554517-1
 PART NUMBER

THIS DRAWING IS A CONTROLLED DOCUMENT.		DIN L.A.MAYER 30AUG2007	Tyco Electronics Corporation Harrisburg, PA 17105-3608	
DIMENSIONS: mm [INCHES]		CHK P.RECCE 30AUG2007	NAME S.FLICKINGER	
TOLERANCES UNLESS OTHERWISE SPECIFIED:		APVD S.FLICKINGER 30AUG2007	PRODUCT SPEC 108-1163	
0 PLC ± -		APPLICATION SPEC 114-2048	RESTRICTED TO	
1 PLC ± -		SIZE A1	DRAWING NO 00779	
2 PLC ± 0.13[.005]		SCALE 4:1	SHEET 1 of 1	
3 PLC ± -		WEIGHT -	REV B	
4 PLC ± -		CUSTOMER DRAWING	5554517	
ANGLES ± -				
MATERIAL SEE NOTE 1		FINISH SEE NOTE 1		